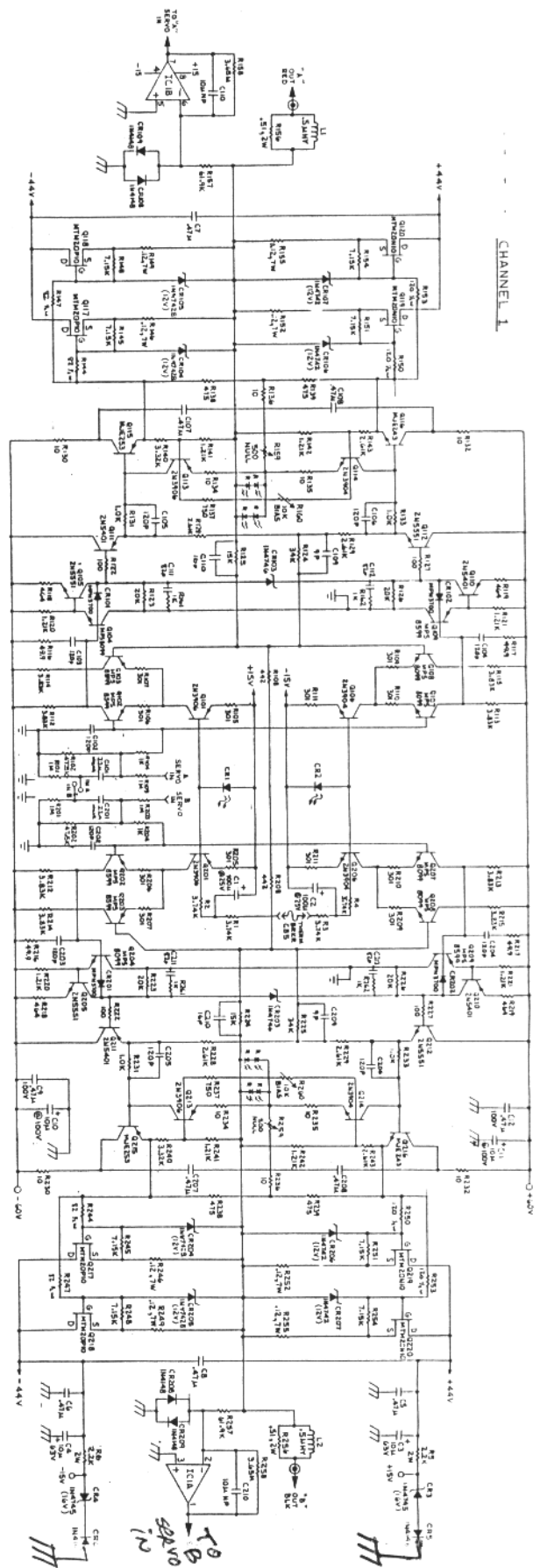


CHANNEL 1



CHANNEL 2 (SAME AS CHANNEL 1)

- NOTES:
1. ALL RESISTANCE VALUES ARE IN OHMS.
 2. ALL CAPACITANCE VALUES ARE IN FARADS.

TRANSFORMER (T1) HOOKUPS			
INPUT	100 VOLTS	100 VOLTS	200 VOLTS
JOIN	BLACK AND WHITE	BLACK TO WHITE	BLACK TO WHITE
CONNECT	YELLOW TO WHT/YEL	BLACK/WHIT TO WHT/BLK	YELLOW TO WHT/BLK
TO	BLACK AND WHITE	BLACK AND WHITE	BLACK
LINE 1	YELLOW WHT/YEL	BLK/WHIT WHT/BLK	WHITE
LINE 2	BLK/WHIT WHT/BLK	BLK/WHIT WHT/BLK	BLACK
LINE 3	YELLOW WHT/YEL	WHT/YEL WHT/BLK	WHITE
LINE 4	BLK/WHIT WHT/BLK	WHT/YEL WHT/BLK	BLACK
LINE 5	YELLOW WHT/YEL	WHT/YEL WHT/BLK	WHITE
LINE 6	BLK/WHIT WHT/BLK	WHT/YEL WHT/BLK	BLACK
LINE 7	YELLOW WHT/YEL	WHT/YEL WHT/BLK	WHITE
LINE 8	BLK/WHIT WHT/BLK	WHT/YEL WHT/BLK	BLACK
LINE 9	YELLOW WHT/YEL	WHT/YEL WHT/BLK	WHITE
LINE 10	BLK/WHIT WHT/BLK	WHT/YEL WHT/BLK	BLACK

SUMO ANDROMEDA II
11/23/89

POWER SUPPLY

