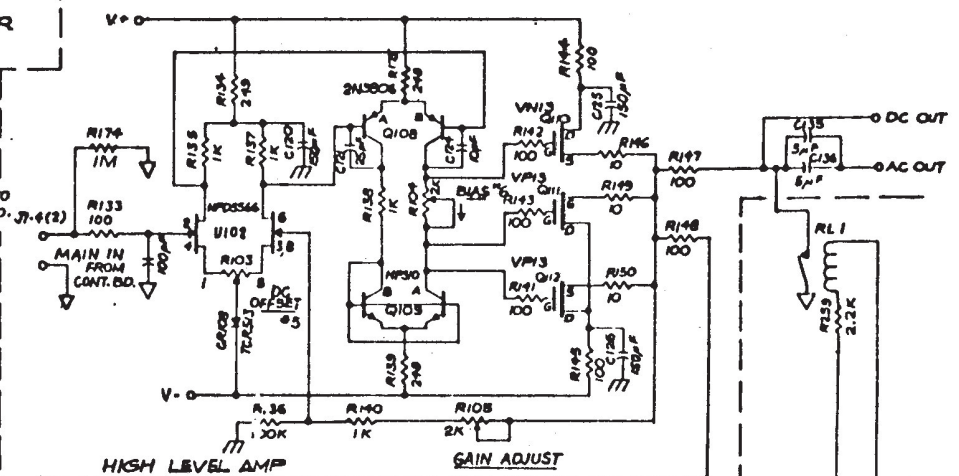
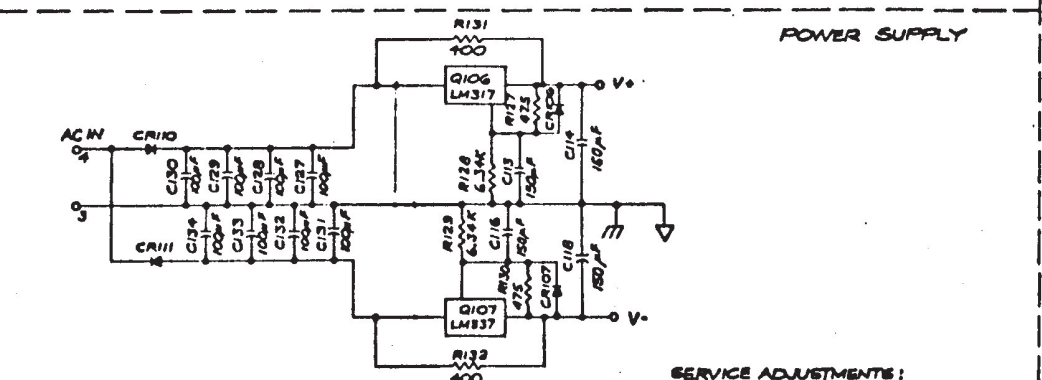


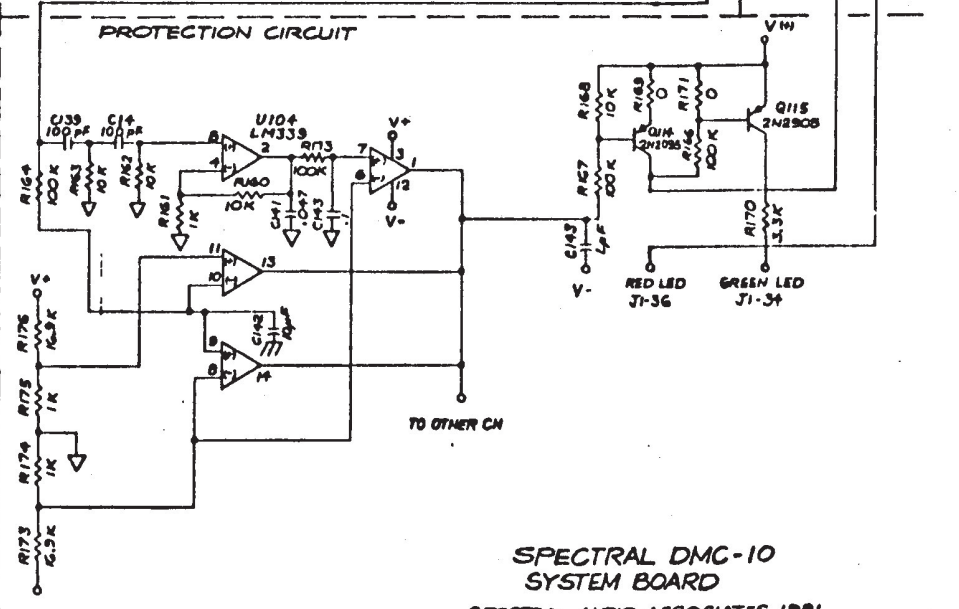
TAPE OUT BUFFER



HIGH LEVEL AMP GAIN ADJUST



PHONO PREAMP
POWER SUPPLY



PROTECTION CIRCUIT

NOTES:

1. COMPONENTS PREFIXED BY 1XX LEFT CHANNEL. COMPONENTS PREFIXED BY 2XX RIGHT CHANNEL. CONNECTOR PINOUTS - L(R).
2. PHONO LOADING - RESISTOR SELECTED TO MATCH INPUT REQUIREMENTS.

SERVICE ADJUSTMENTS:

- 3 DC OFFSET - ADJUST FOR 0.0VDC ON EITHER END OF R124 (224)
- 4 BIAS - ADJUST FOR 2V ± .2V ACROSS R120 (220)
- 5 DC OFFSET - ADJUST FOR 0.0VDC ON EITHER END OF R148 (248)
- 6 BIAS - ADJUST FOR 2V ± .2V ACROSS R144 (244)

SPECTRAL DMC-10
SYSTEM BOARD
SPECTRAL AUDIO ASSOCIATES 1981
REV 2