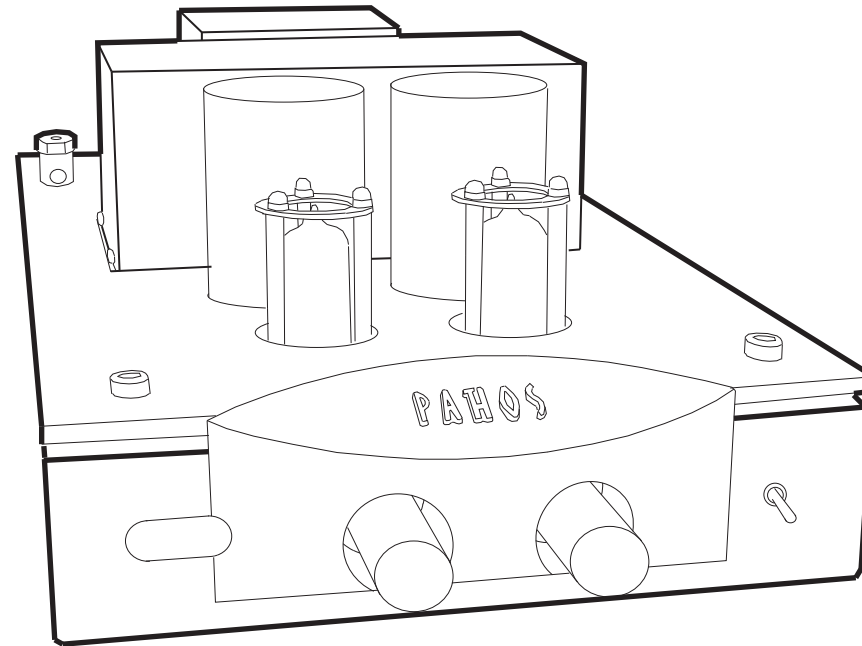
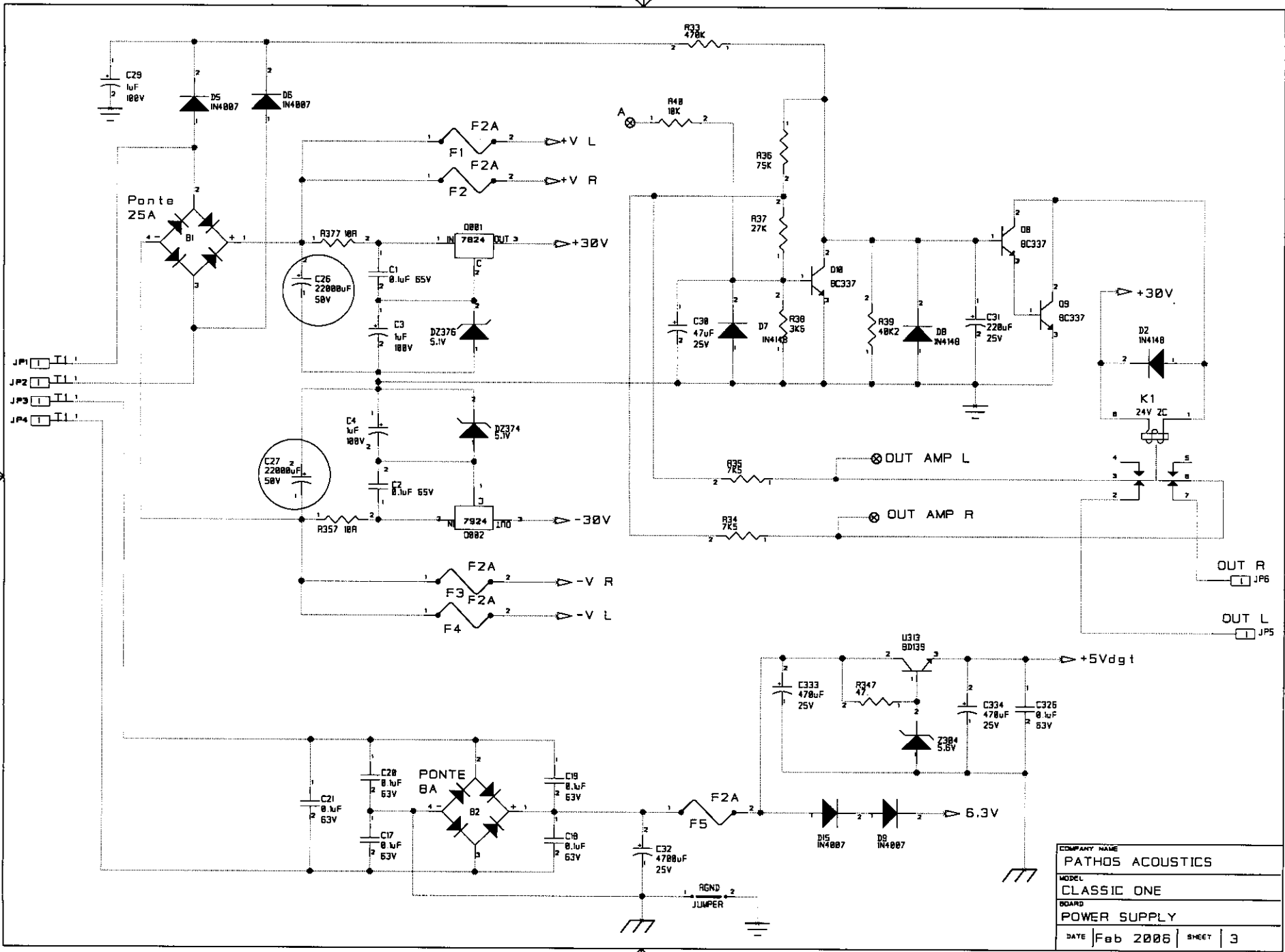


PATHOS

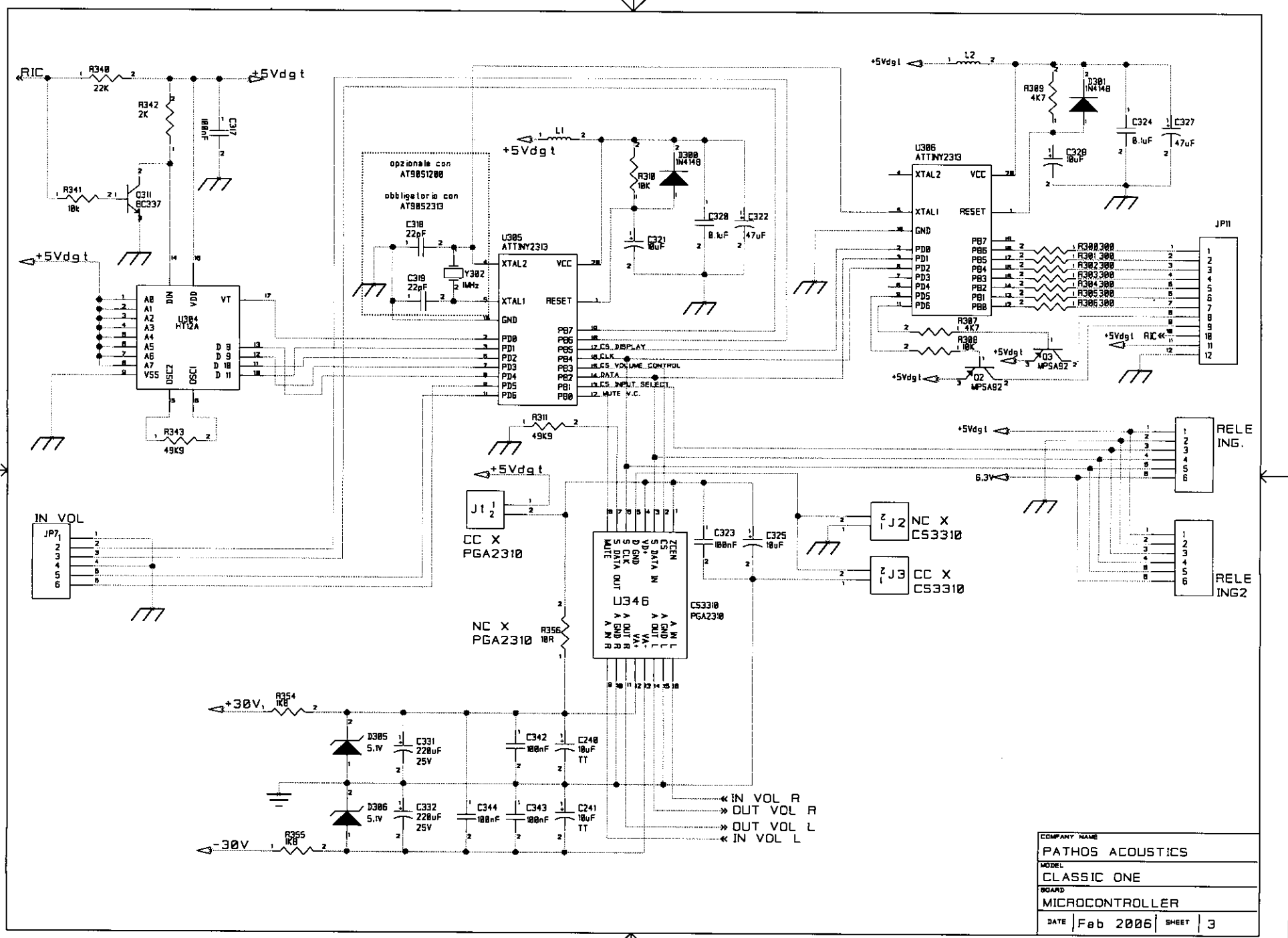
Classic One MkIII



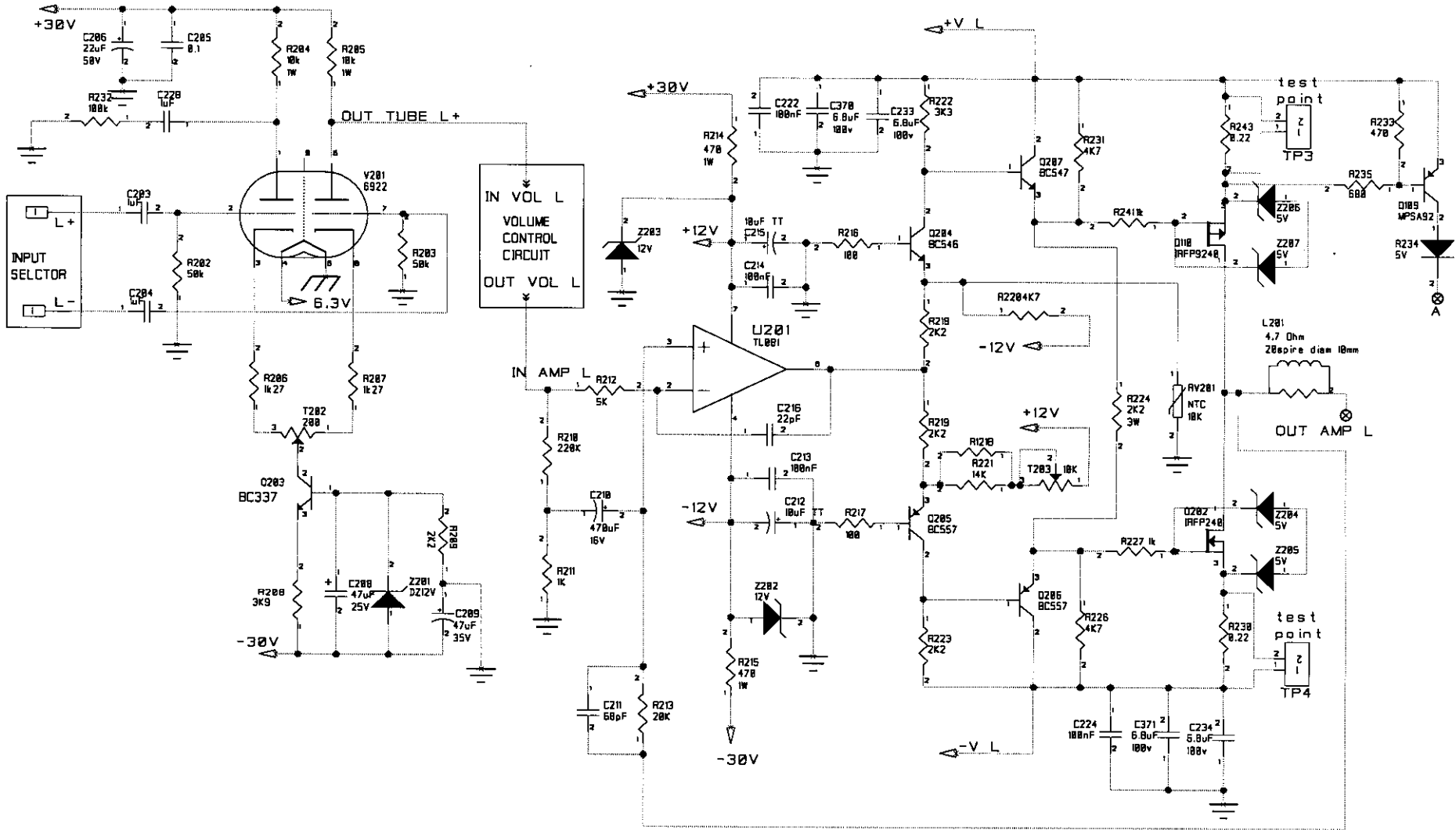
Service manual



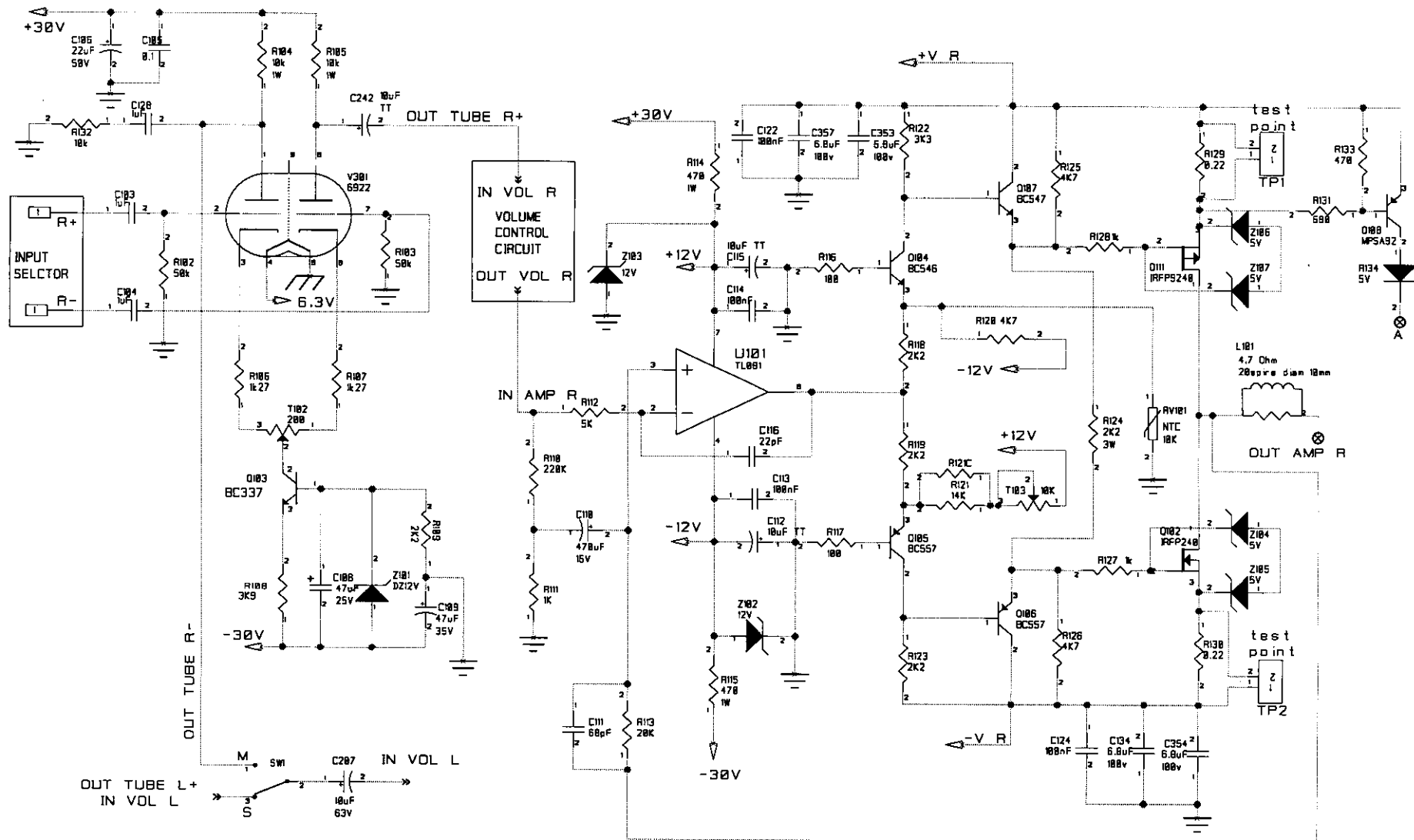
COMPANY NAME	PATHOS ACOUSTICS
MODEL	CLASSIC ONE
BOARD	POWER SUPPLY
DATE	Feb 2006
SHEET	3



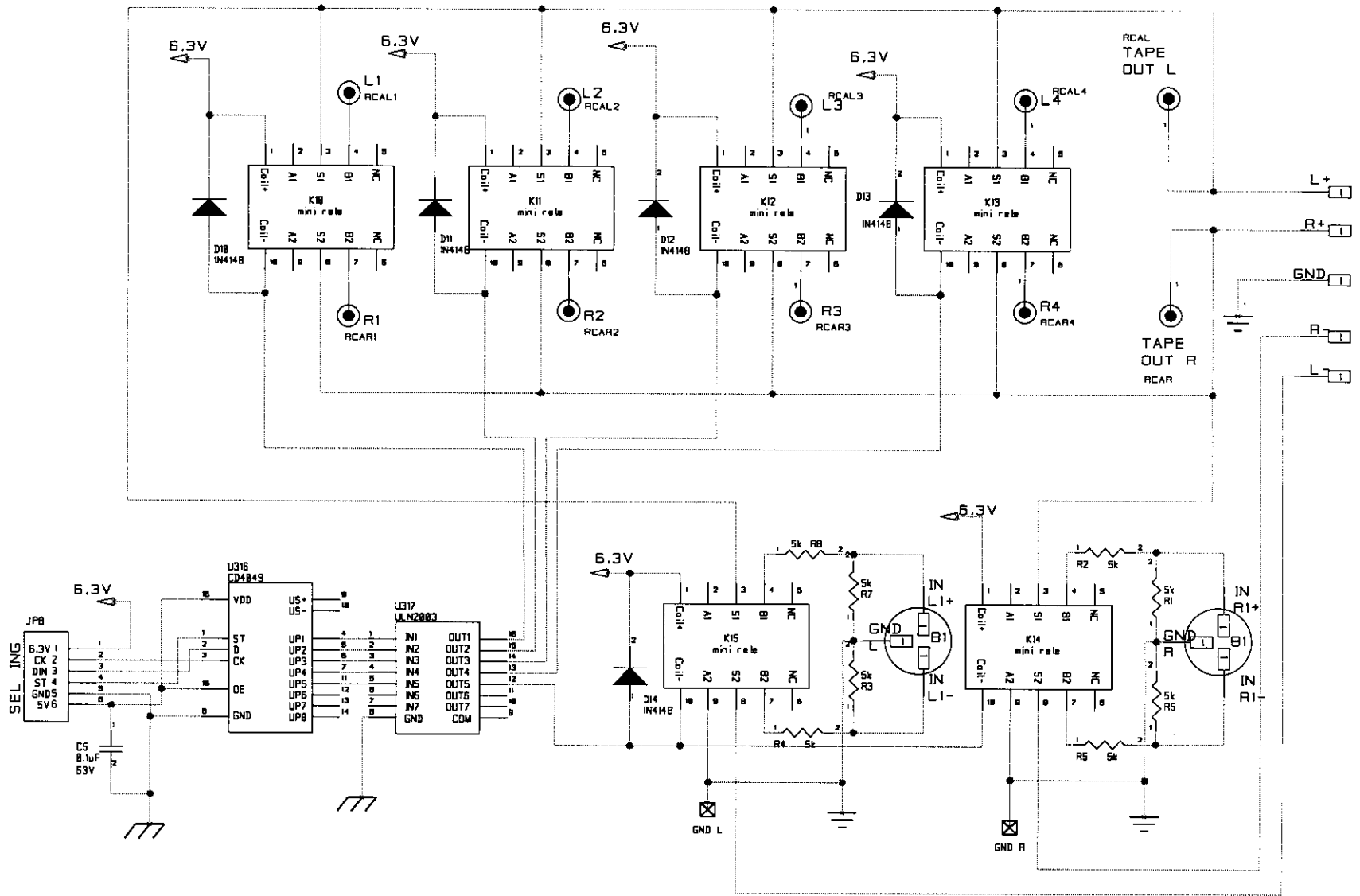
COMPANY NAME	
PATHOS ACOUSTICS	
MODEL	
CLASSIC ONE	
BOARD	
MICROCONTROLLER	
DATE	Feb 2006 SHEET 3



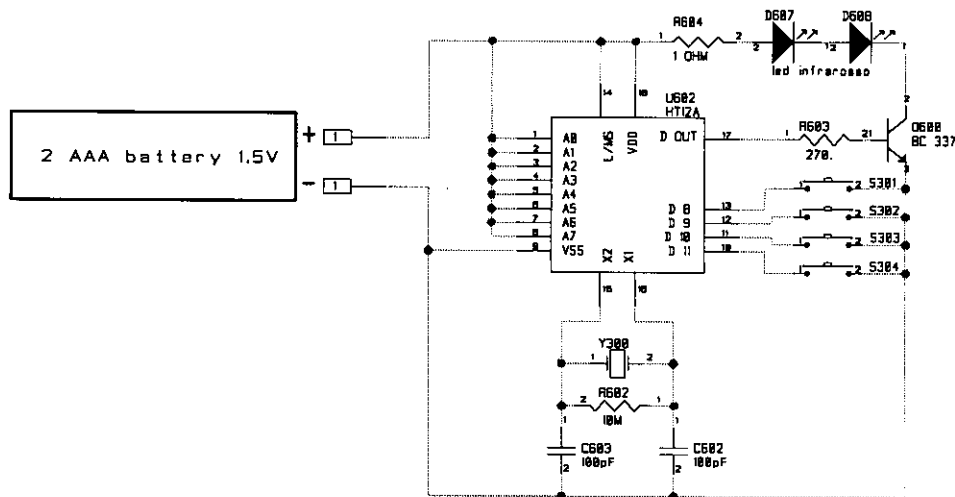
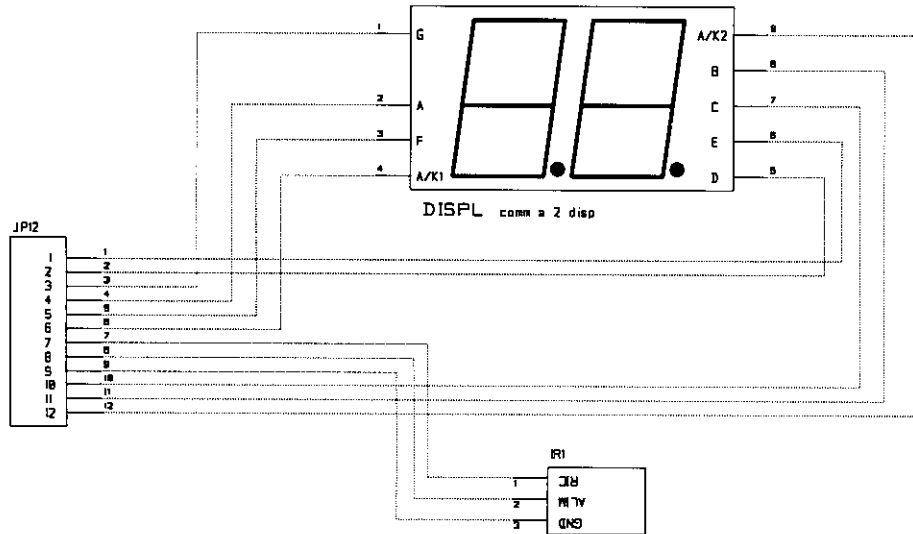
COMPANY NAME	PATHOS ACOUSTICS
MODEL	CLASSIC ONE
BOARD	LEFT CHANNEL
DATE	Feb 2006
SHEET	3



COMPANY NAME	
PATHOS ACOUSTICS	
MODEL	
CLASSIC ONE	
BOARD	
RIGHT CHANNEL	
DATE	SHEET
Feb 2006	3



COMPANY NAME	
PATHOS ACOUSTICS	
MODEL	
CLASSIC ONE	
BOARD	
INPUT SELECT	
DATE	Feb 2008 SHEET 3



COMPANY NAME	
PATHOS ACOUSTICS	
MODEL	
CLASSIC ONE	
BOARD	
REMOTE CONTROL - DISPLAY	
DATE	FEB 2006 SHEET 3