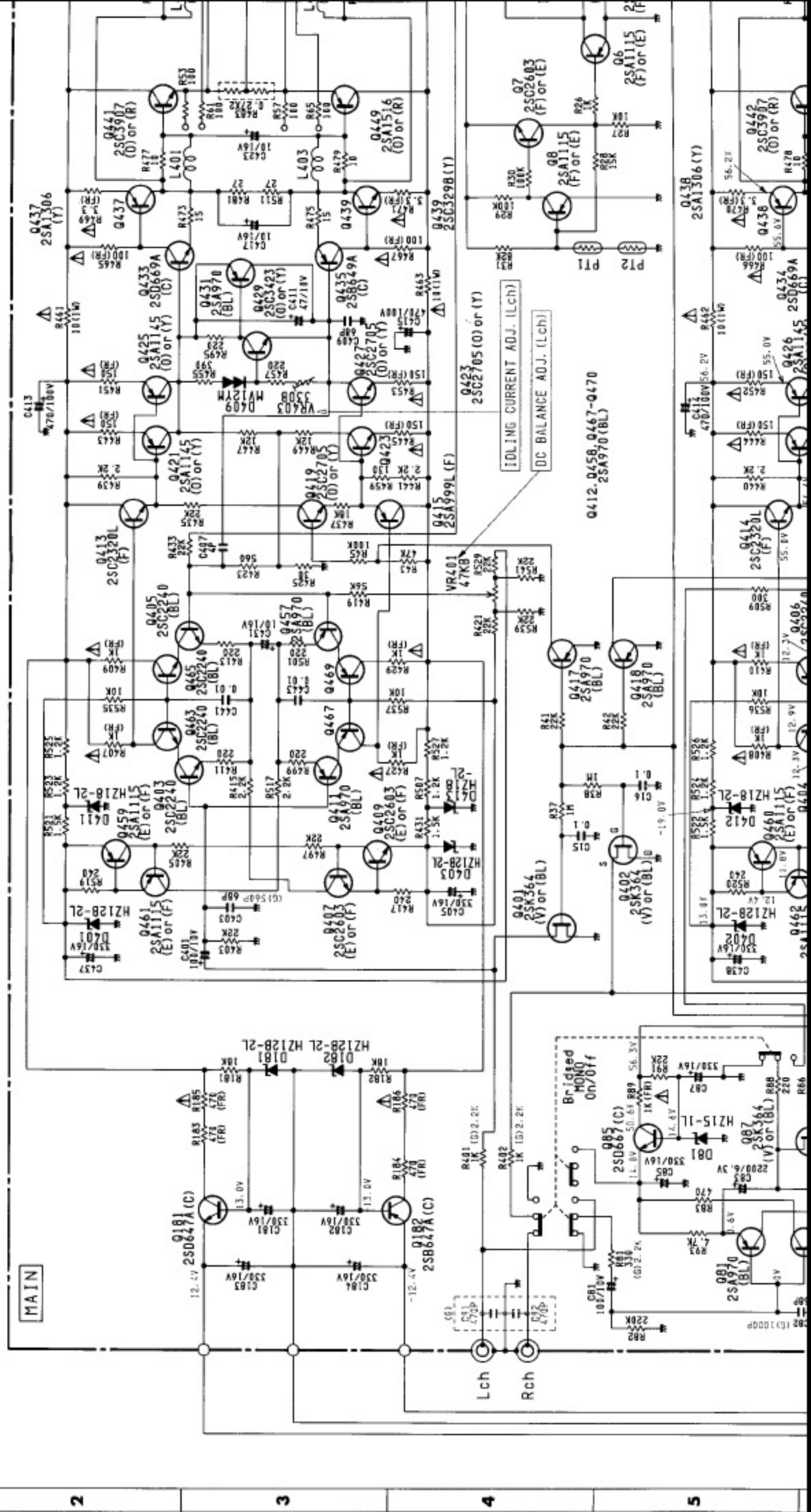


A B C D E F G

SCHEMATIC DIAGRAM



1

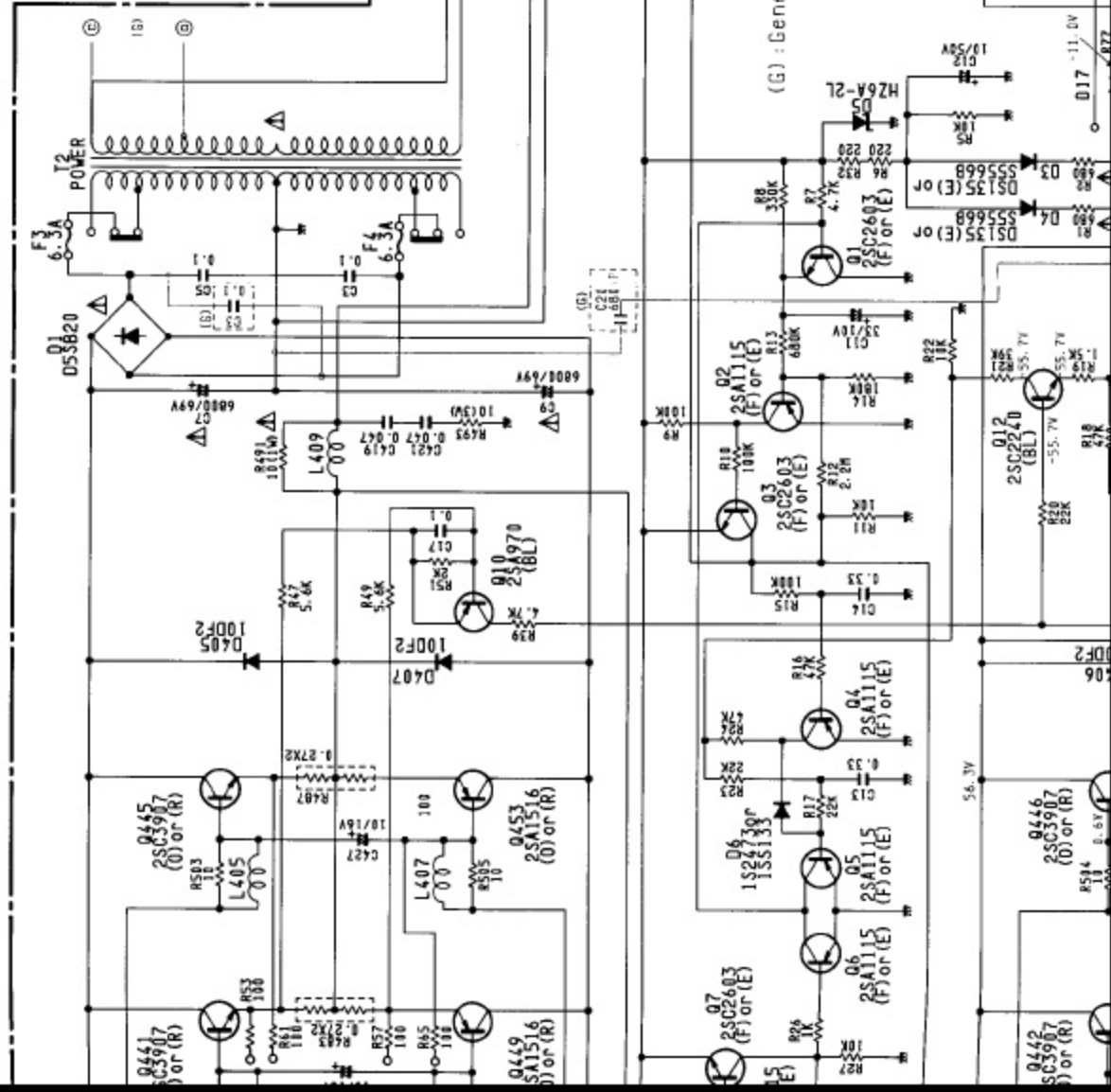
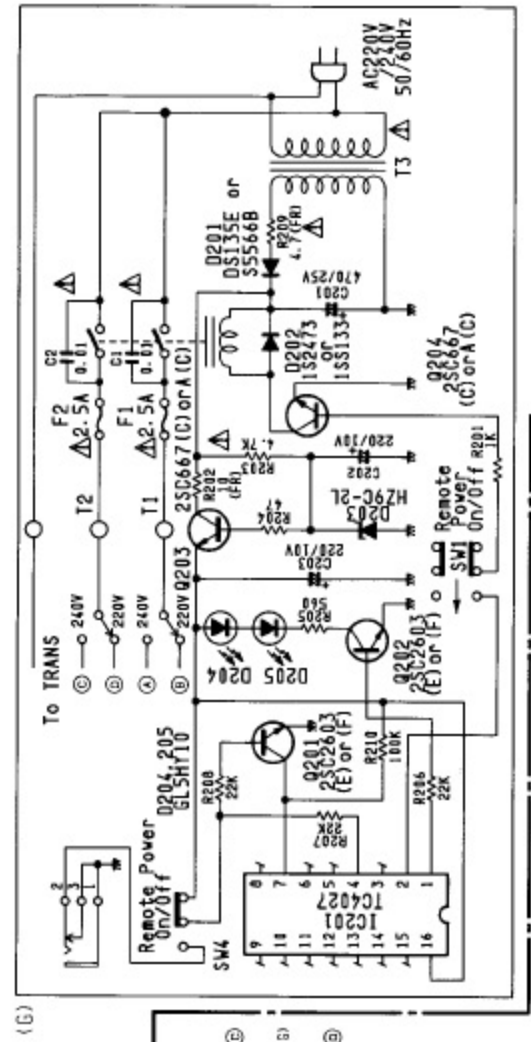
2

3

4

5

N  
M  
L  
K  
J  
I  
H



LEFT  
GND  
GND  
RIGHT

POWER  
F1 5A

AG4.0V  
POWER

017 -11.0V

016

015

014

013

012

011

010

009

008

007

006

005

004

003

002

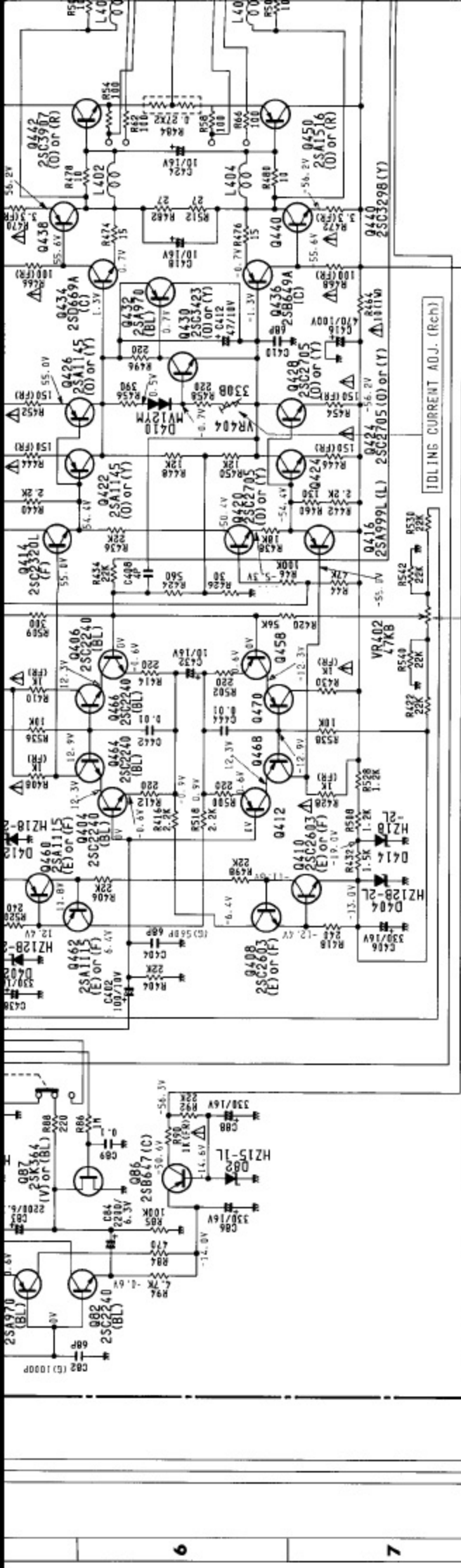
001

000

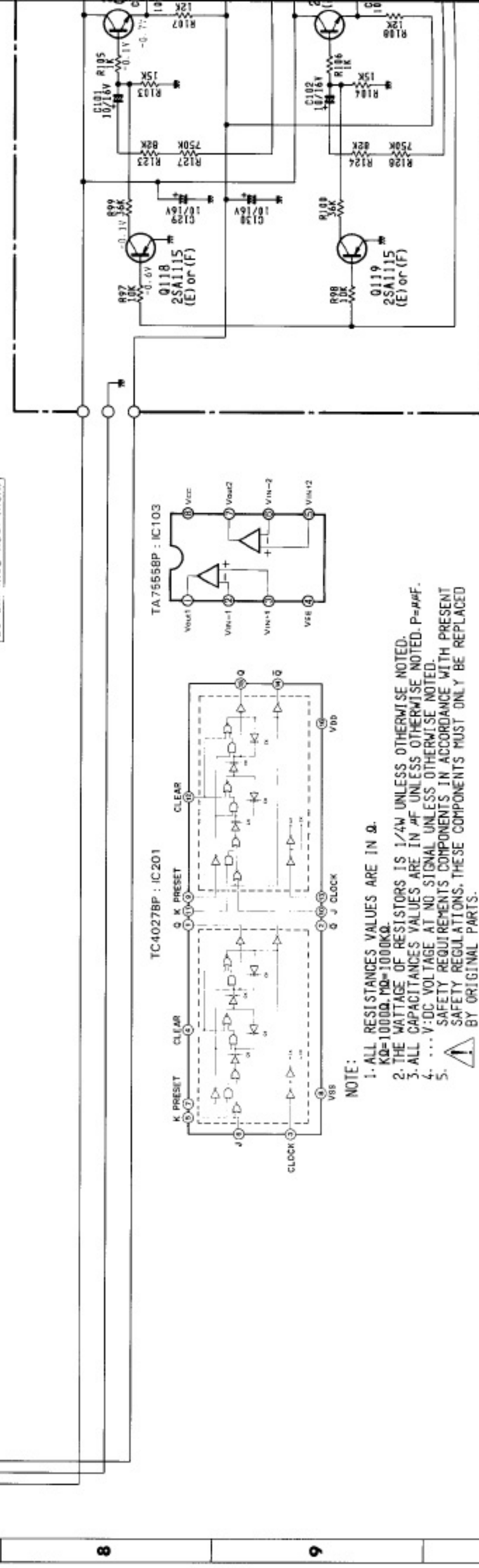
000

000

000



DC BA: INDE ADJ. (Rch)



NOTE:  
1. ALL RESISTANCE VALUES ARE IN  $\Omega$ .  
2. THE WATTAGE OF RESISTORS IS 1/4W UNLESS OTHERWISE NOTED.  
3. ALL CAPACITANCE VALUES ARE IN  $\mu F$  UNLESS OTHERWISE NOTED. P= $\mu F$ .  
4. ... V:DC VOLTAGE AT NO SIGNAL UNLESS OTHERWISE NOTED.  
5. SAFETY REQUIREMENTS COMPONENTS IN ACCORDANCE WITH PRESENT SAFETY REGULATIONS. THESE COMPONENTS MUST ONLY BE REPLACED BY ORIGINAL PARTS.

