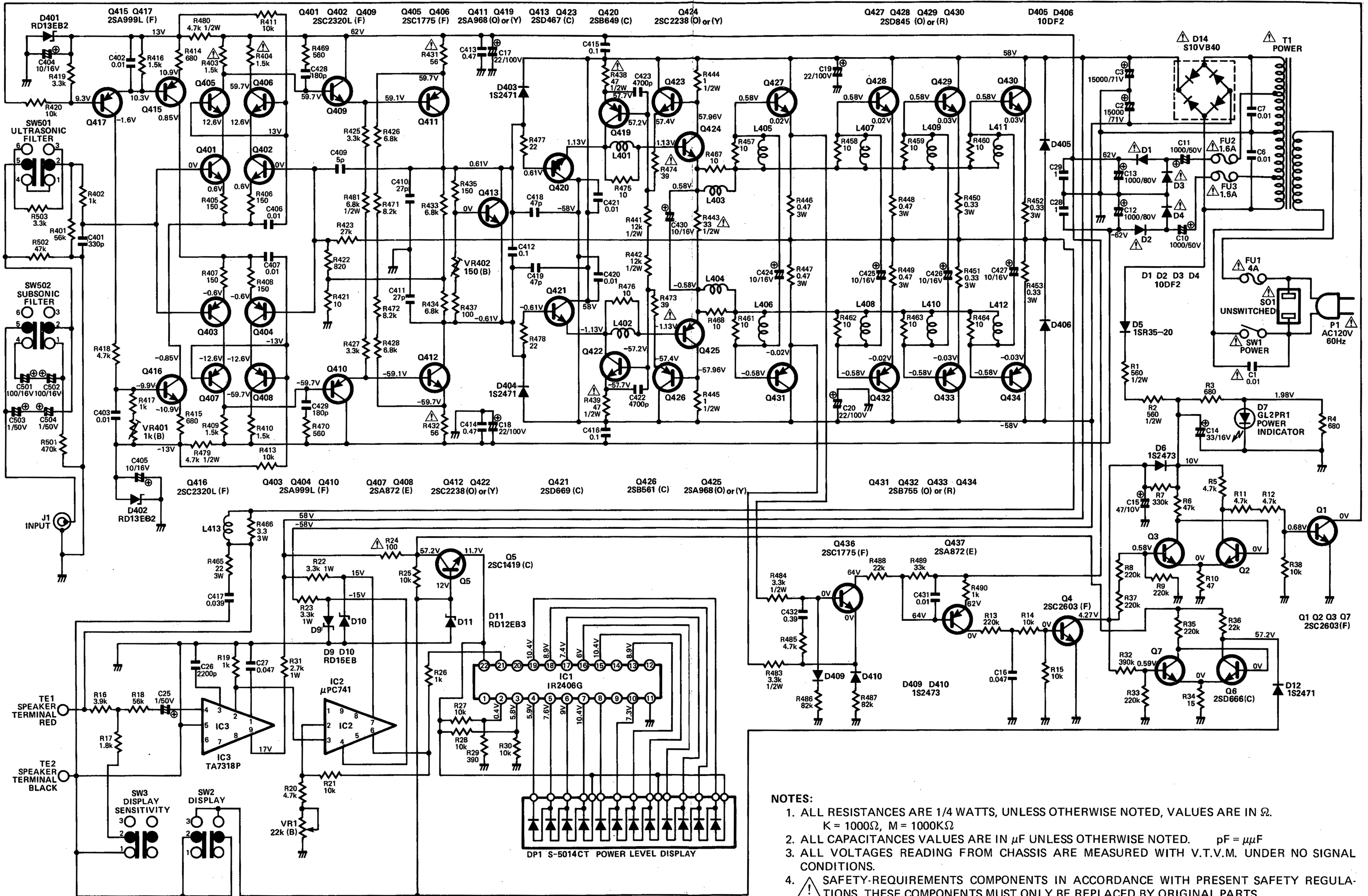


HiFi ENGINE®

For more Hi-Fi manuals and set-up information
please visit www.hifiengine.com

SCHEMATIC DIAGRAM



- NOTES:**
1. ALL RESISTANCES ARE 1/4 WATTS, UNLESS OTHERWISE NOTED, VALUES ARE IN Ω .
K = 1000 Ω , M = 1000K Ω
 2. ALL CAPACITANCES VALUES ARE IN μ F UNLESS OTHERWISE NOTED. pF = μ μ F
 3. ALL VOLTAGES READING FROM CHASSIS ARE MEASURED WITH V.T.V.M. UNDER NO SIGNAL CONDITIONS.
 4. SAFETY-REQUIREMENTS COMPONENTS IN ACCORDANCE WITH PRESENT SAFETY REGULATIONS, THESE COMPONENTS MUST ONLY BE REPLACED BY ORIGINAL PARTS.