

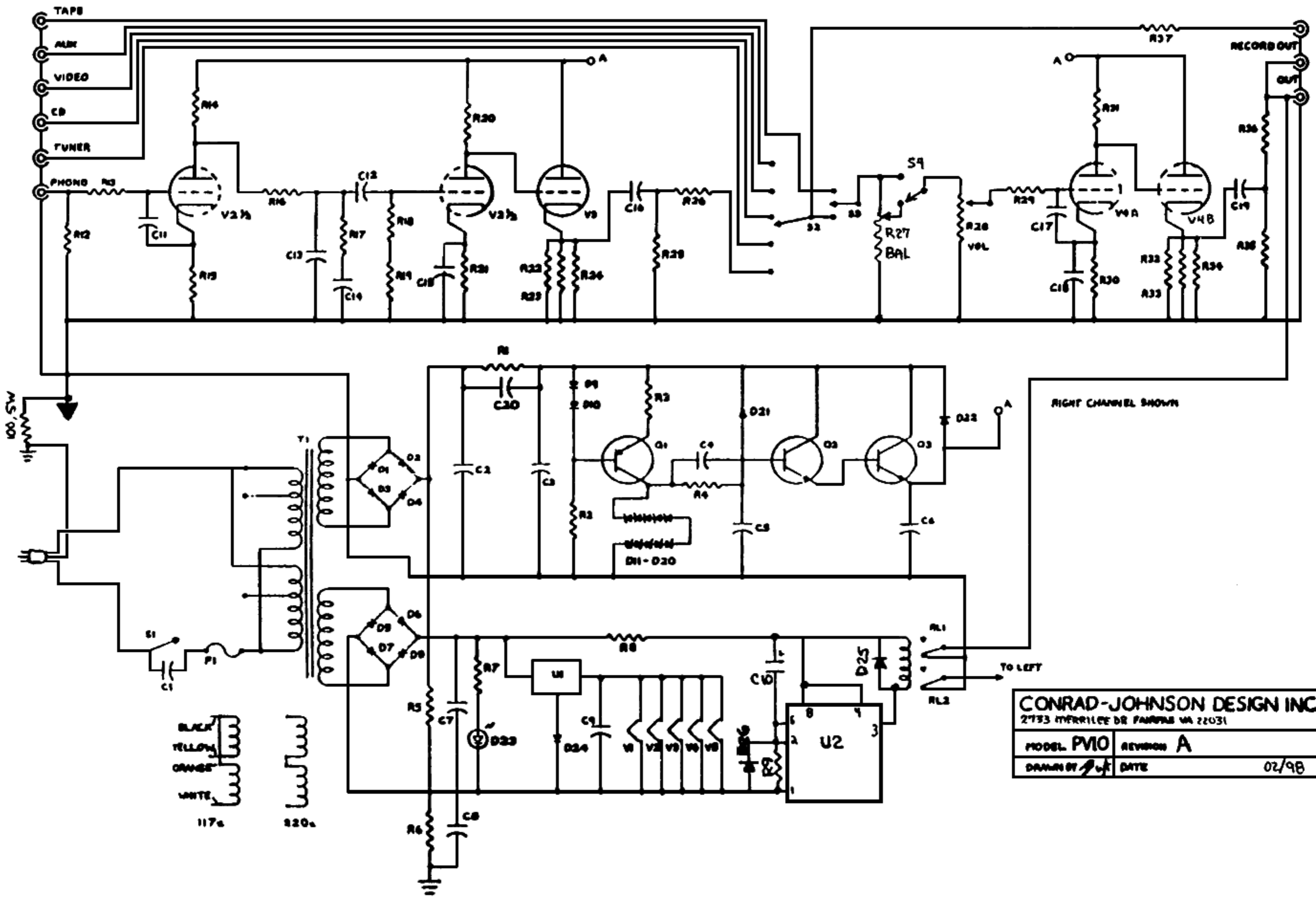
PV10A PARTS LIST

R1, 1.8K 2W (33K in LS)  
 R2, 390K  
 R3, 331  $\Omega$   
 R4, 18.2K  
 R5, 910K  
 R6, 91K  
 R7, 3.3K  
 R8, 82  $\Omega$  1W  
 R9, 910K  
 R10, 1K  
 R11, 47  $\Omega$   
 R12, 47.5K  
 R13, 365  $\Omega$   
 R14, 221K VTA52  
 R15, 845  $\Omega$   
 R16, 215K  
 R17, 39.2K  
 R18, 2.2M  
 R19, 2.2M  
 R20, 150K RN65  
 R21, 1K  
 R22, 121K RN65  
 R23, 121K RN65  
 R24, 121K RN65  
 R25, 1m  $\Omega$   
 R26, 47.5  $\Omega$   
 \*R27, 100K bal. pot  
 R28, 100K vol. pot  
 R29, 47.5  
 R30, 3.3K  
 R31, 82.5 K RN65  
 R32, 121K RN65  
 R33, 121K RN65  
 R34, 12K RN65  
 R35, 1m  
 R36, 47.5  $\Omega$   
 R37, 475  $\Omega$   
 C1, .01mf/250Vdc(VDE)  
 C2, 20mf/800V  
 C3, 20mf/800V  
 C4, .01mf/600V ps  
 C5, 4mf/400V pp  
 C6, 13.5mf/500V pp  
 C7, 4700mf/35V elect  
 C8, 22mf/50V elect  
 C9, .47mf/200V pp  
 C10, 47mf/35V elect  
 C11, 47pf pp ps  
 C12, .15mf/400V ps  
 C13, 2600pf ps  
 C14, 8000pf ps  
 C15, 150pf ps  
 C16, 4mf/400V pp  
 C17, 10pf pp  
 C18, 47pf pp  
 C19, 4mf/400V pp  
 C20, .15mf/400V pp

D1,  $\mu$ F4007  
 D2,  $\mu$ F4007  
 D3,  $\mu$ F4007  
 D4,  $\mu$ F4007  
 D5, FR302/GI854  
 D6, FR302/GI854  
 D7, FR302/GI854  
 D8, FR302/GI854  
 D9, IN4148  
 D10, IN4148  
 D11, IN5257  
 D12, IN5257  
 D13, IN5257  
 D14, IN5257  
 D15, IN5257  
 D16, IN5257  
 D17, IN5257  
 D18, IN5257  
 D19, IN5254  
 D20, IN5254  
 D21, IN4007  
 D22, IN4007  
 D23, l.e.d.  
 D24, IN4007  
 D25, <sup>26</sup>IN4148  
 V1, 12AX7 left ch.  
 V2, 12AX7 right ch.  
 V3, 12AT7  
 V4, <sup>45</sup>12AU7  
 Q1, MPSU60  
 Q2, MPSU10  
 Q3, MJE340  
 Q4, NOT USED  
 U2, NESS5  
 S1, 2 pos. 1 pole switch  
 S2, 5 pos. 2 pole switch  
 S3, 2 pos. 2 pole switch  
 \*S4, 2 pos. 2 pole switch  
 O1, AC outlet  
 Q2, AC outlet  
 RL1, relay  
 RL2, relay  
 U1, MC7812 reg  
 T1, MAGNETEK 783P2  
 F1,  $\frac{1}{2}$  amp sb

	S4	R27
231	X	X
232		X
233		
235		X
236		

\* Above chart shows utilization of S4 & R27 in various PV10A iterations (by 3-digit serial # prefix)



RIGHT CHANNEL SHOWN

CONRAD-JOHNSON DESIGN INC.	
2733 MERRILL DR FARMERS VA 22031	
MODEL PV10	REVISION A
DRAWN BY <i>[Signature]</i>	DATE 02/98