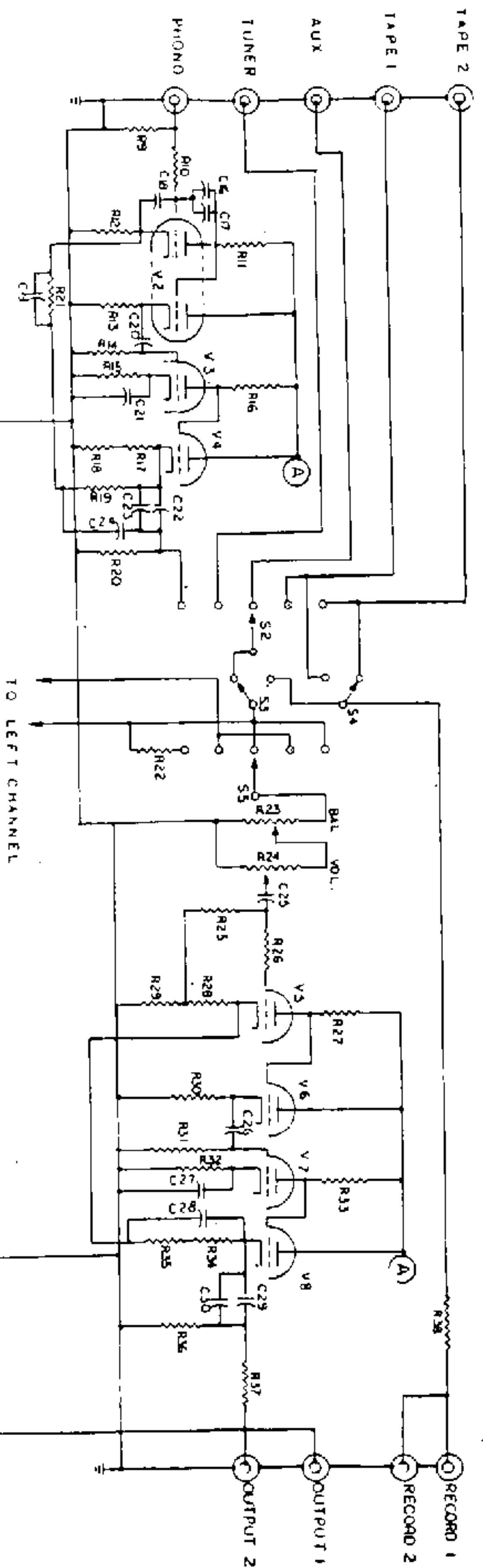
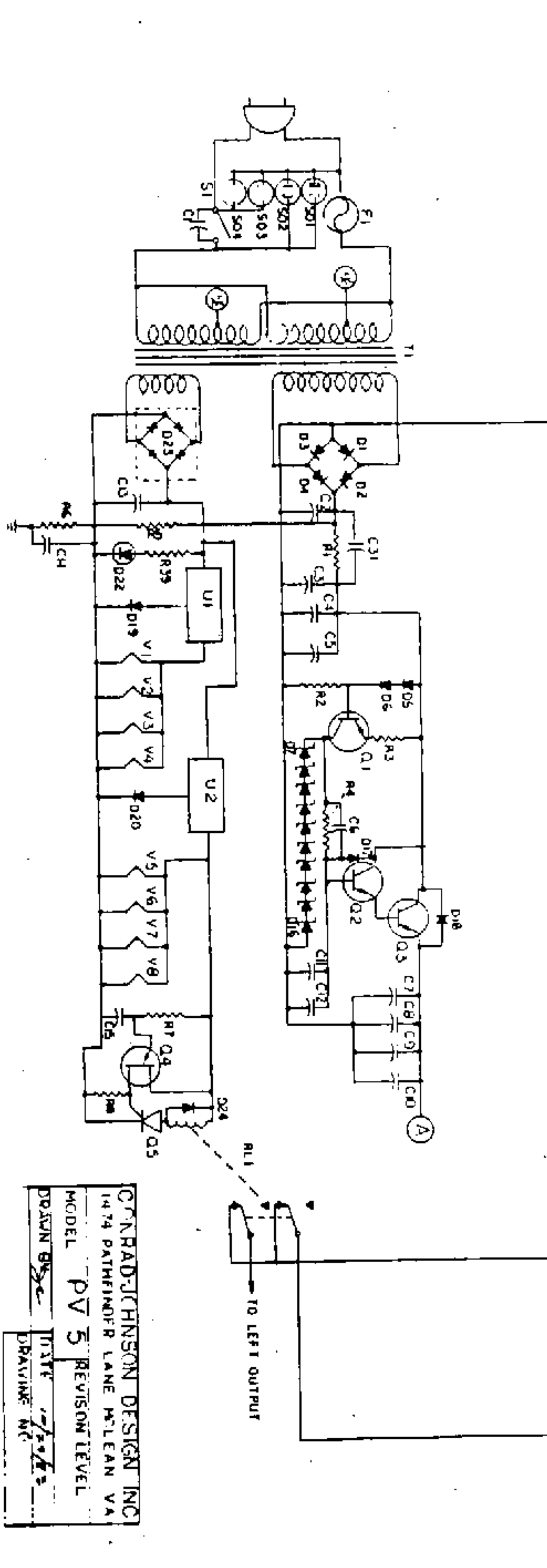


RIGHT CHANNEL



TO LEFT CHANNEL



TO LEFT OUTPUT

CONRAD-JOHNSON DESIGN INC
 1474 PATTERINDER LANE McLEAN VA
 MODEL PV 5 REVISION LEVEL
 DRAWN BY [Signature]
 DATE 11/29/62
 DRAWING NO. [Number]