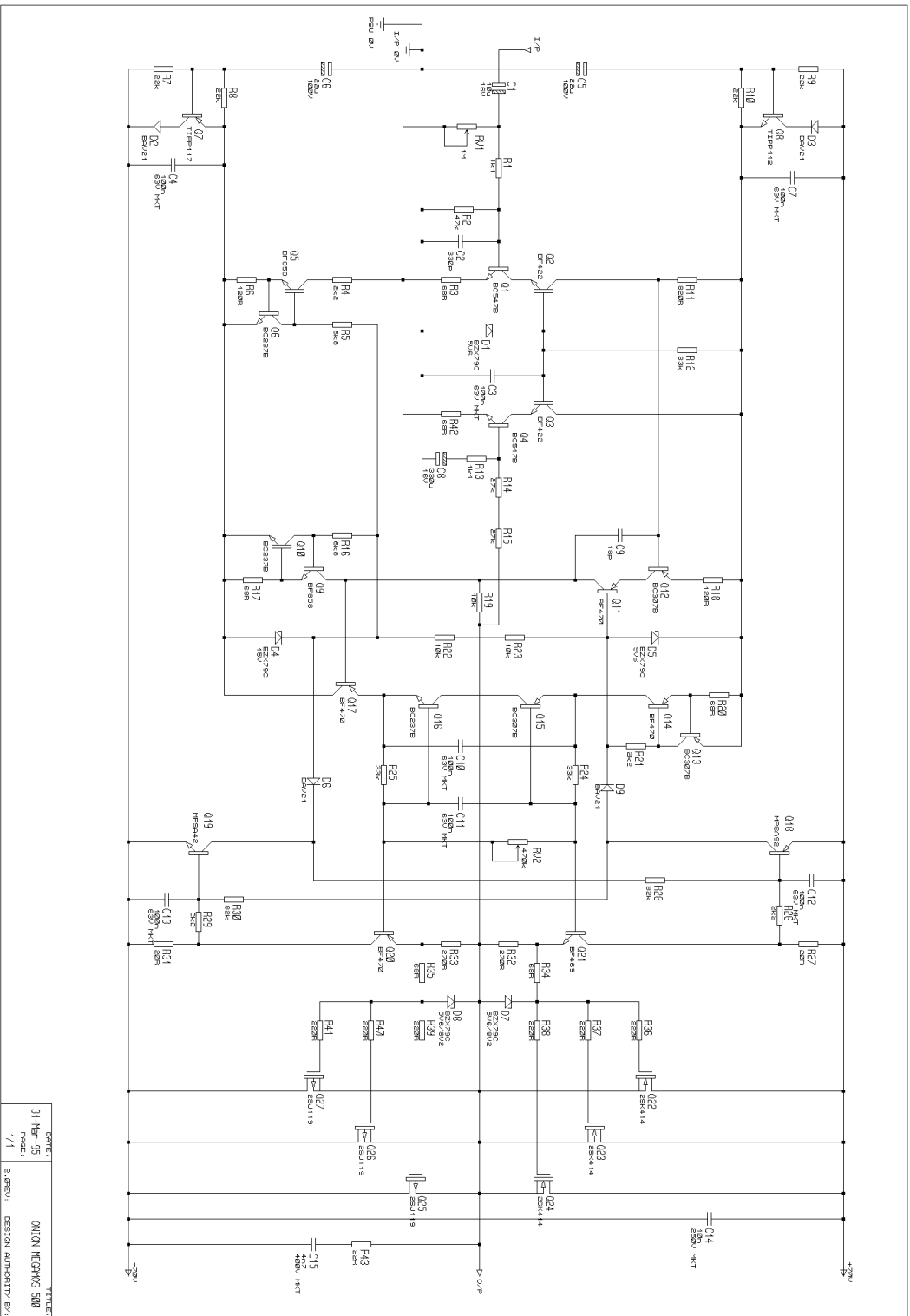


SHEET 11
 TITLE SPACE SUPPLIES 500
 11-Nov-98
 1/1
 2.0REV. DESIGN AUTHORITY: B.V.1



TITLE: ONION NEGAMS 5000
 31-Her-95
 1/1
 2.0REV. DESIGN AUTHORITY: B.V.I.