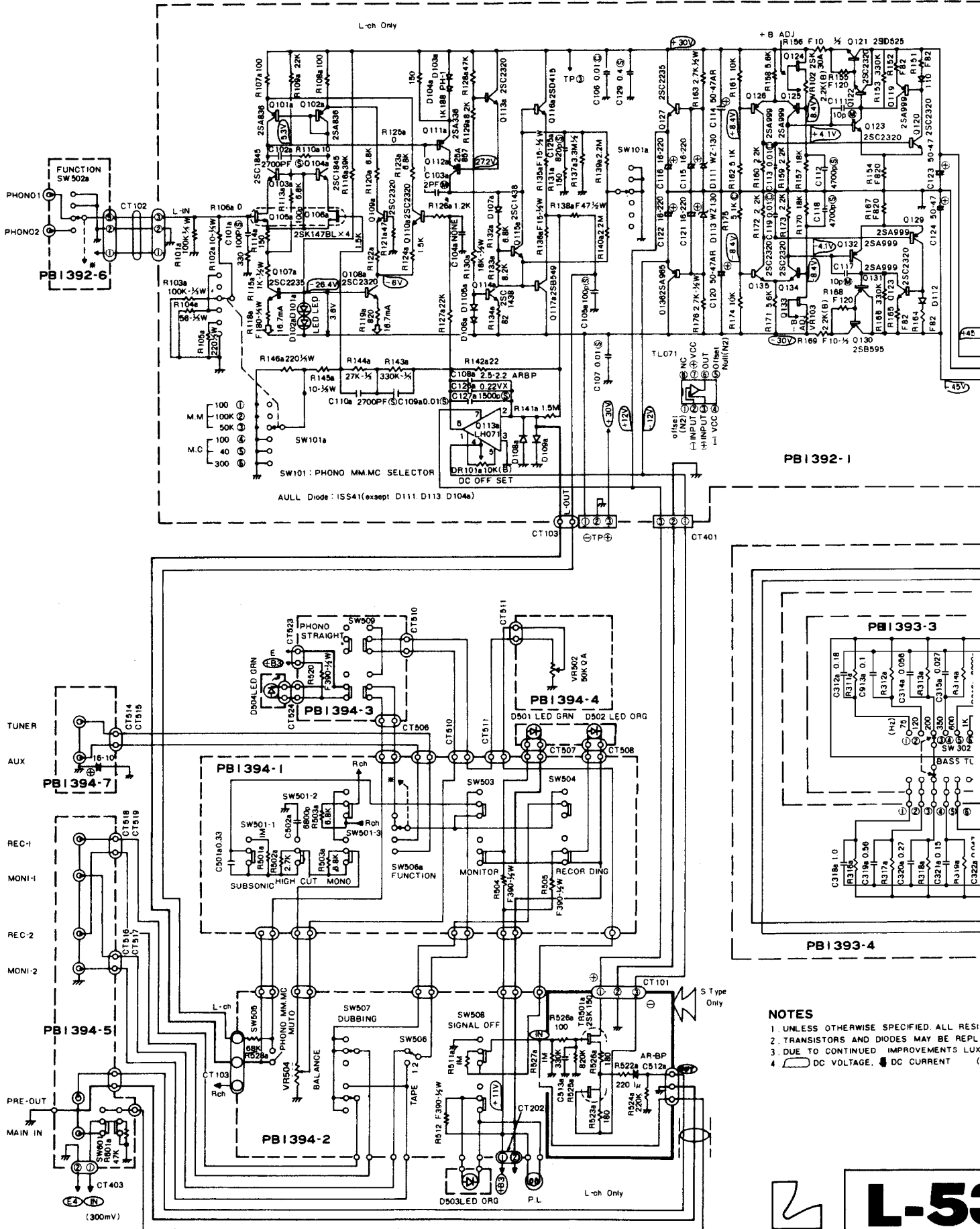
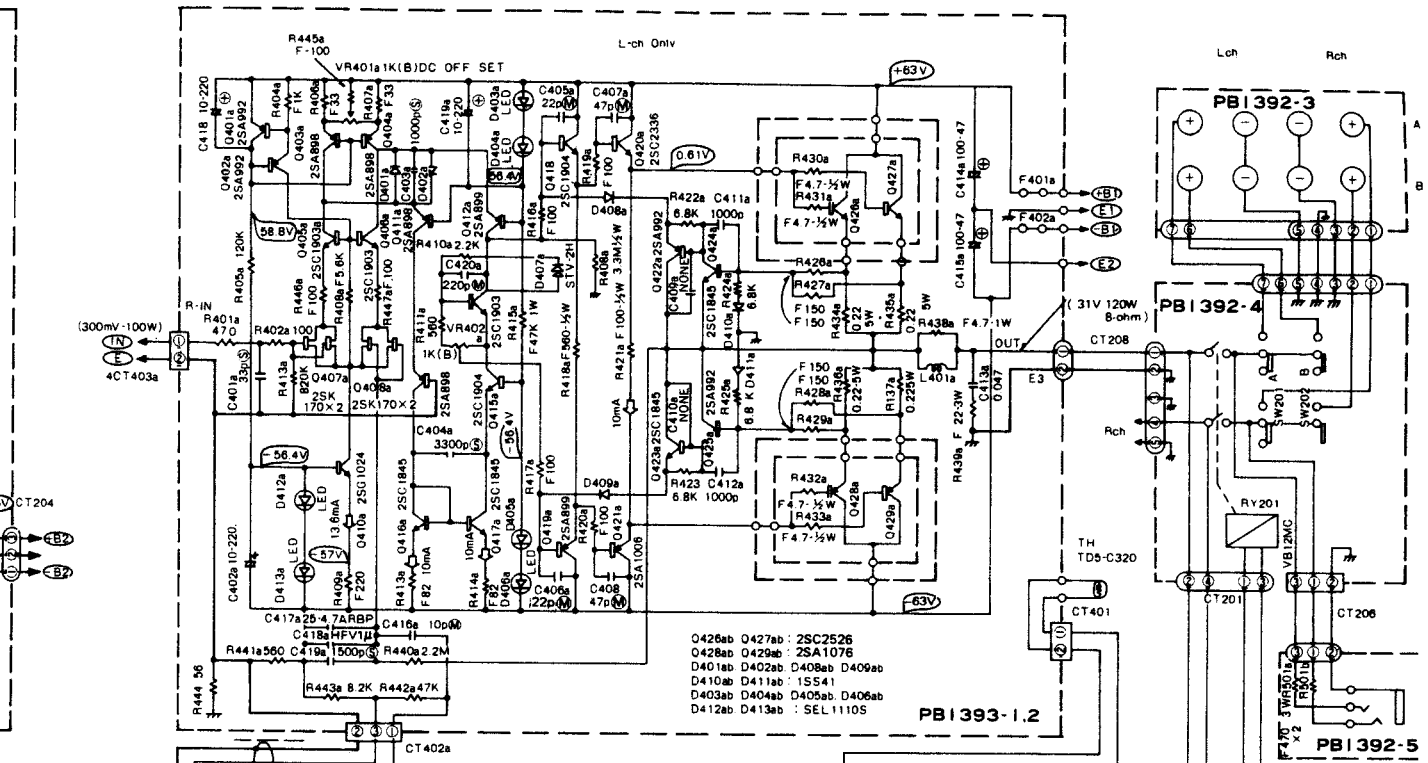
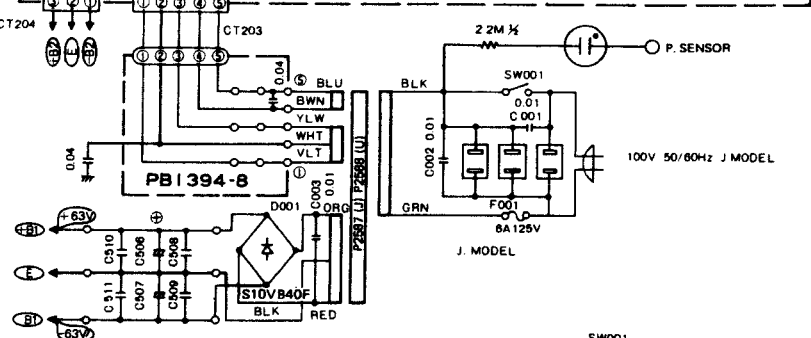
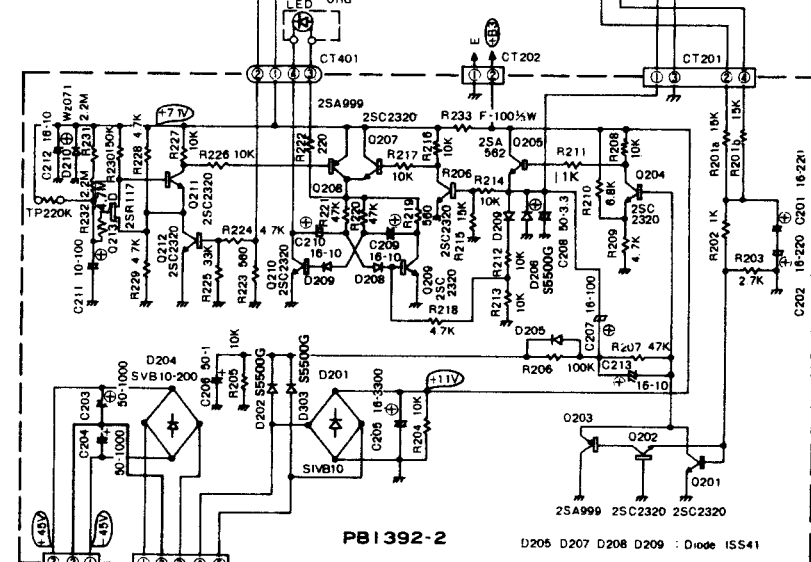
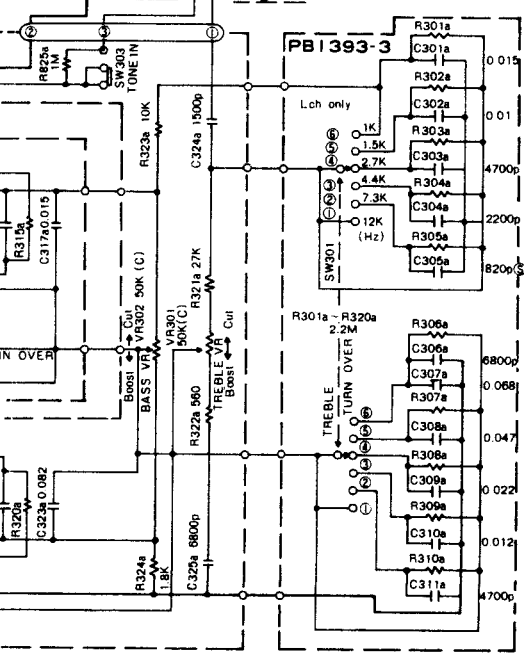


L-530 Schematic Diagram





O426ab O427ab : 2SC2526
 O428ab O429ab : 2SA1076
 D401ab D402ab D408ab D409ab
 D410ab D411ab : 1S541
 D403ab D404ab D405ab D406ab
 D412ab D413ab : SEL1110S



C506, C507 : 71V - 3000µF
 C508, C509 : 0.47 Vx
 C510, C511 : 1500µF

RESISTORS ARE IN OHM $\frac{1}{2}$ WATT ALL CAPACITORS ARE IN MICRO FARAD.
 SPECIFIED WITH ANY TYPE HAVING COMPARABLE RATINGS.
 RESERVE THE RIGHT TO ALTER THE CIRCUIT OR SPECIFICATION.
) AC VOLTAGE AT 100W OUTPUT 8ohm

